



US00D806136S

(12) **United States Design Patent**
Saulou et al.

(10) **Patent No.:** **US D806,136 S**
(45) **Date of Patent:** **** Dec. 26, 2017**

- (54) **FRAC PLUG SLIP**
- (71) Applicant: **MAVERICK DOWNHOLE TECHNOLOGIES INC.**, Edmonton (CA)
- (72) Inventors: **Cory Saulou**, Edmonton (CA); **Tim Stewart**, Edmonton (CA)
- (73) Assignee: **MAVERICK DOWNHOLE TECHNOLOGIES INC.**, Edmonton, CA (US)
- (**) Term: **15 Years**
- (21) Appl. No.: **29/584,548**

5,819,846	A *	10/1998	Bolt, Jr.	E21B 33/134	166/123
7,475,736	B2 *	1/2009	Lehr	E21B 33/1204	166/120
7,735,549	B1 *	6/2010	Nish	E21B 33/1293	166/134
8,066,065	B2 *	11/2011	Buckner	E21B 33/1204	166/118
D673,182	S *	12/2012	Frazier	D15/21	D694,281
D694,281	S *	11/2013	Frazier	D15/21	8,596,347
8,596,347	B2 *	12/2013	Valencia	E21B 33/1204	166/134
8,678,081	B1 *	3/2014	Nish	E21B 33/1294	166/135
D703,698	S *	4/2014	Frazier	D15/21	D705,821
D705,821	S *	5/2014	Frazier	D15/21	8,770,276
8,770,276	B1 *	7/2014	Nish	E21B 33/1291	166/118

- (22) Filed: **Nov. 15, 2016**
- (51) **LOC (10) Cl.** **15-03**
- (52) **U.S. Cl.** **D15/21**
- (58) **Field of Classification Search**
- USPC D15/17, 21, 28; 166/386, 193, 318
- CPC E21B 33/1293; E21B 33/1204; E21B 33/1216; E21B 33/1285; E21B 33/12; E21B 33/1295; E21B 33/129; E21B 33/01; E21B 33/06; E21B 33/124; E21B 33/128; E21B 33/1291; E21B 33/1292; E21B 21/01; E21B 43/26; E21B 23/01
- See application file for complete search history.

- (56) **References Cited**
- U.S. PATENT DOCUMENTS
- 2,204,659 A * 6/1940 Burt E21B 33/129 166/217
- 3,530,934 A * 9/1970 Kisling E21B 33/129 166/134
- 3,687,196 A * 8/1972 Mullins E21B 23/01 166/217
- 4,440,223 A * 4/1984 Akkerman E21B 33/1295 166/134

(Continued)

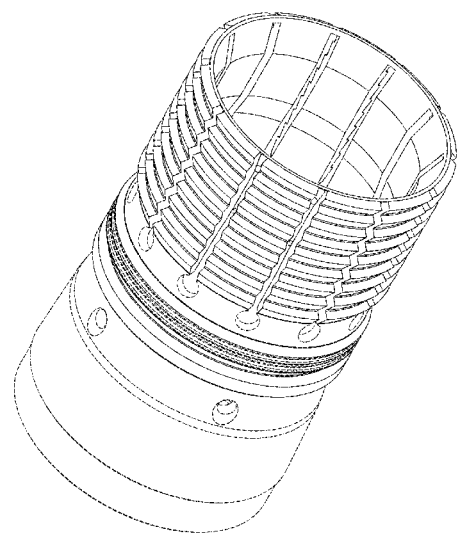
Primary Examiner — Mark Goodwin
(74) *Attorney, Agent, or Firm* — Tai W. Nahm; Miller Thomson LLP

(57) **CLAIM**
The ornamental design for a frac plug slip, as shown.

DESCRIPTION

FIG. 1 is a perspective view of the frac plug slip showing our new design;
FIG. 2 is a side view thereof;
FIG. 3 is a top view thereof;
FIG. 4 is a bottom view thereof; and,
FIG. 5 is a perspective view of the frac plug slip from an opposite end.
The broken lines in the drawings within the slip portion shown in solid lines represent unclaimed boundaries of the design. The broken lines showing the remainder of the frac plug are for environmental purposes only and form no part of the claimed design.

1 Claim, 5 Drawing Sheets



US D806,136 S

(56)	References Cited	
	U.S. PATENT DOCUMENTS	
	8,869,904 B2 * 10/2014 Jani E21B 33/134 166/117.5	2013/0048272 A1 * 2/2013 VanLue E21B 33/128 166/118
	8,997,853 B2 * 4/2015 VanLue E21B 33/128 166/118	2013/0048313 A1 * 2/2013 VanLue E21B 33/128 166/387
	9,074,439 B2 * 7/2015 VanLue E21B 33/128	2013/0048314 A1 * 2/2013 VanLue E21B 33/128 166/387
	9,097,095 B2 * 8/2015 VanLue E21B 33/128	2015/0167424 A1 * 6/2015 Richards E21B 33/134 166/386
	9,103,177 B2 * 8/2015 VanLue E21B 33/128	2015/0198008 A1 * 7/2015 Smith E21B 33/134 166/386
	D762,737 S * 8/2016 Fitzhugh D15/21	2015/0354313 A1 * 12/2015 McClinton E21B 23/06 166/135
	D763,324 S * 8/2016 Fitzhugh D15/21	2016/0145957 A1 * 5/2016 Davies E21B 23/01 166/382
	9,725,982 B2 * 8/2017 VanLue E21B 33/129	2016/0160602 A1 * 6/2016 Ruffo E21B 33/1216 166/386
	2008/0264627 A1 * 10/2008 Roberts E21B 23/01 166/118	2016/0290096 A1 * 10/2016 Tse E21B 33/129
	2011/0259610 A1 * 10/2011 Shkurti E21B 33/1204 166/386	2017/0101835 A1 * 4/2017 Webster E21B 23/01
	2012/0097384 A1 * 4/2012 Valencia E21B 33/1204 166/134	2017/0101836 A1 * 4/2017 Webster E21B 33/1293
	2012/0125631 A1 * 5/2012 Entchev E21B 33/12 166/376	2017/0234103 A1 * 8/2017 Frazier E21B 33/1291 166/138
	2012/0292052 A1 * 11/2012 Xu E21B 33/134 166/386	2017/0234108 A1 * 8/2017 Xu E21B 34/12 166/373
	2013/0014958 A1 * 1/2013 Jani E21B 33/134 166/386	2017/0260823 A1 * 9/2017 Roseman E21B 33/128
	2013/0048271 A1 * 2/2013 VanLue E21B 33/128 166/118	2017/0260824 A1 * 9/2017 Kellner E21B 33/1293
		2017/0268310 A1 * 9/2017 Shkurti E21B 33/129

* cited by examiner

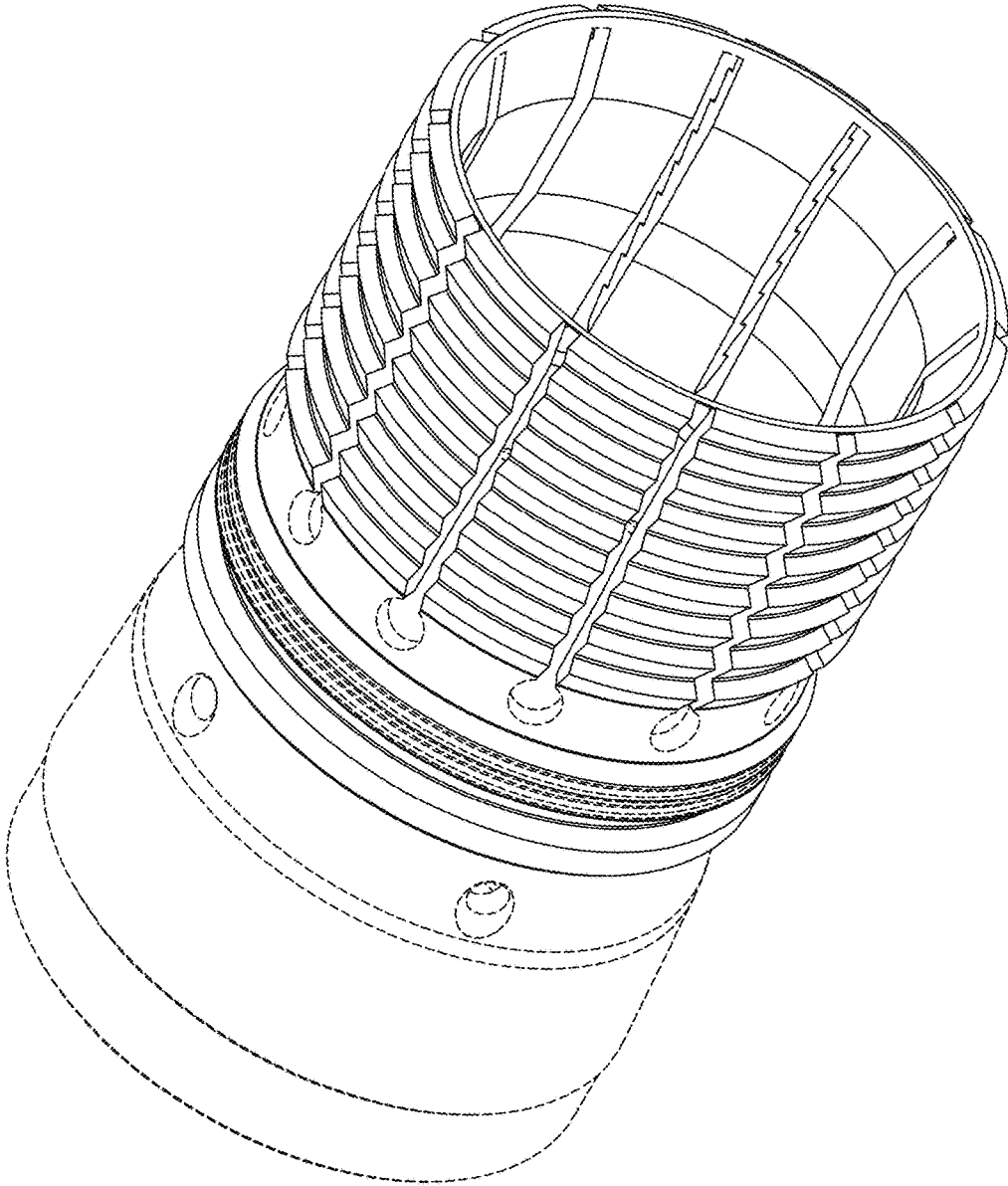


FIG. 1

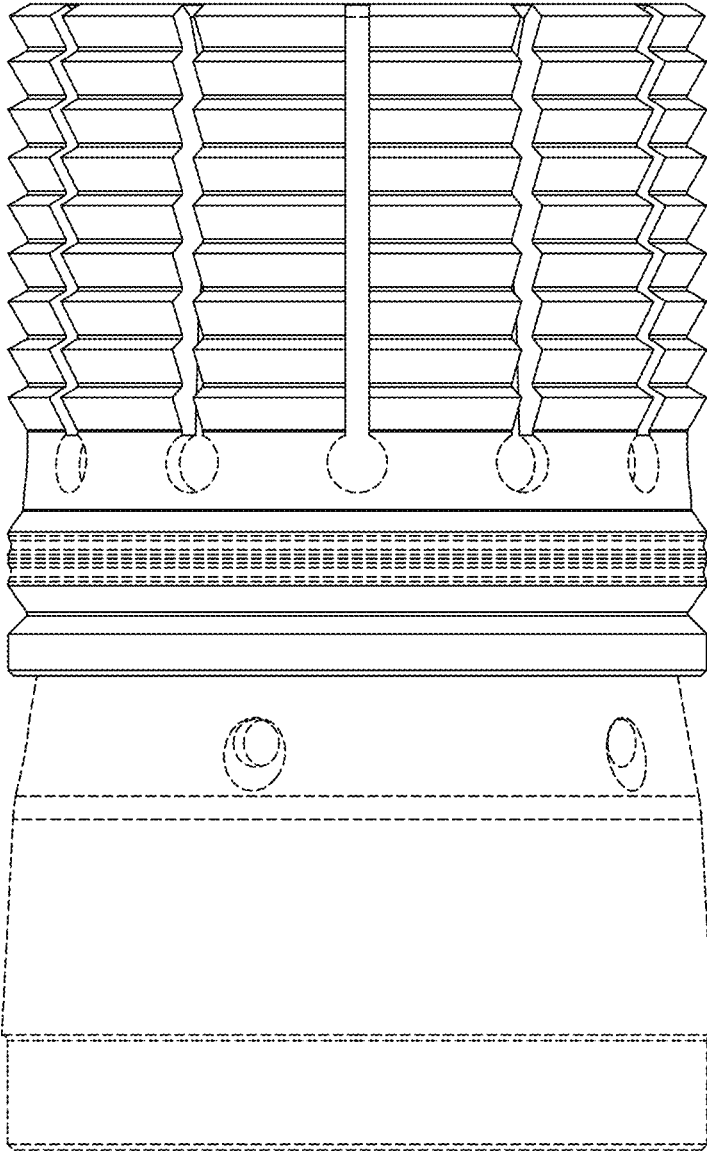


FIG. 2

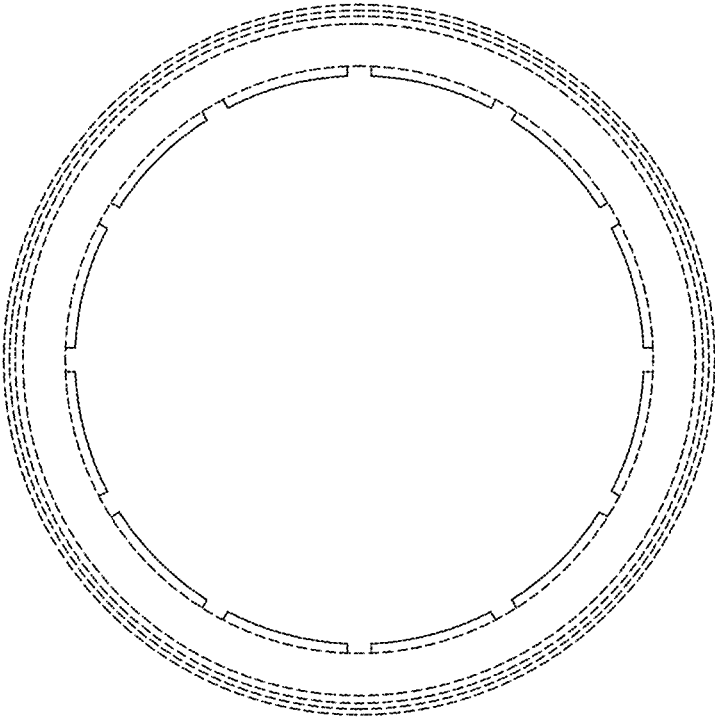


FIG. 3

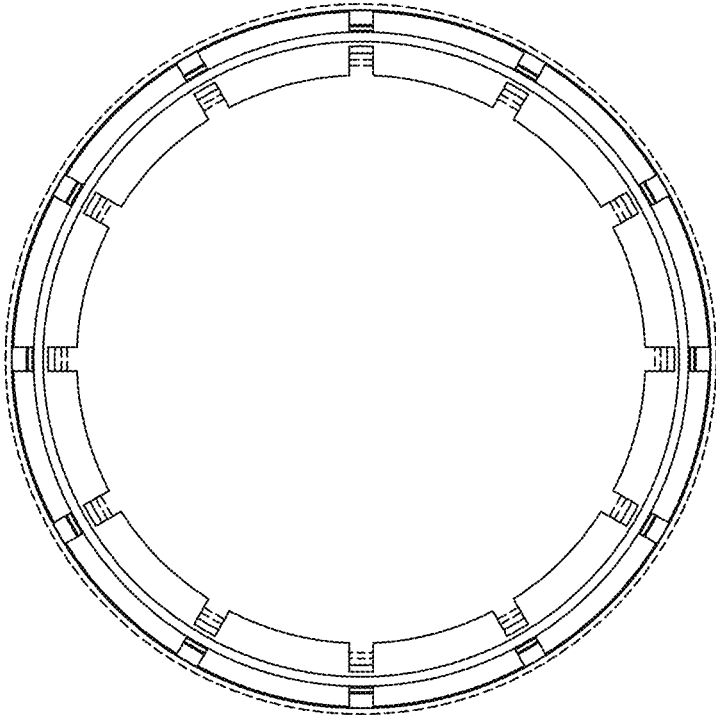


FIG. 4

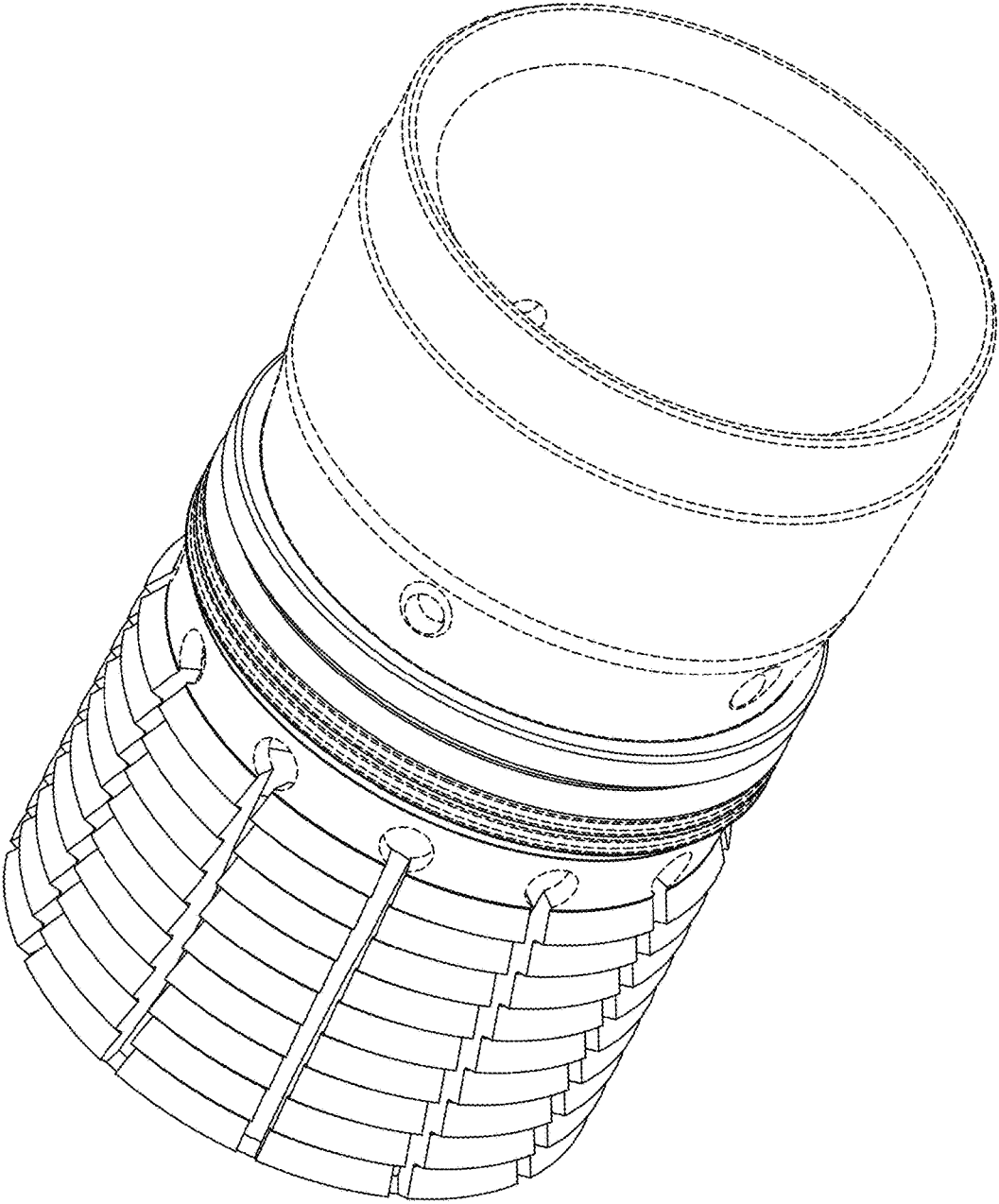


FIG. 5